

Product Description

- Patented electric flame technology⁽¹⁾
- Realistic flame image, log set and ember bed
- Perfect for retrofit applications
- Installs quickly, easily – simply plug into standard household outlet
- Built-in fan-forced heater provides instant warmth
- Safe, clean electric operation
- Remote control included – turns unit on/off from anywhere in room
- Choose flame only or flame with heat (half heat, full heat)
- Fits most sizes of existing masonry or steel-lined fireplaces
- Dimensions 23.2" W x 19.8" H x 10.8" D



DFI2309 Fireplace Insert shown with on/off remote (included)

Specifications

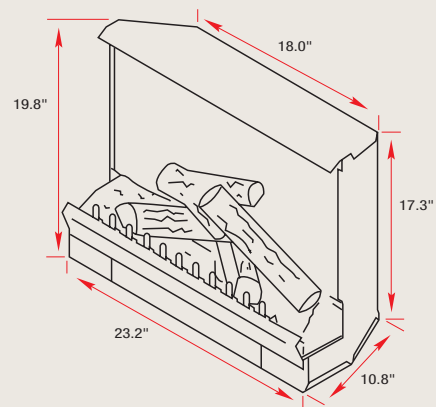
Model	Description	Volts	Watts	BTU	Total Amps	Weight (lb/kg)
DFI2309	23" fireplace insert with front mount switches (flame only, half heat, full heat), includes on/off remote control	120	1375	4700	11.5	34 / 15.3

Option for DFI2309 Fireplace Insert



DFI23TRIMX - expandable surround trim kit for insert, includes trim, spark screen and hardware

Dimensions for DFI2309 Fireplace Insert



⁽¹⁾ Protected by U.S. Patents 4,965,707, 5,642,580, 6,162,047, 6,269,567, 6,564,485. Canadian Patents 2,175,442, 2,310,414. Further patents pending.