

Product Description

- Patented electric flame technology
- Realistic flame image, log set and ember bed
- 120 volt plug-in firebox with thermostat controlled fan-forced heater
- Operates with flame only or flame and heat
- Safe, clean electric operation
- Adjustable interior light and flame speed control
- Includes multi-function digital display remote control
- Dimensions 30.2" W x 25.6" H x 11.9" D



DF3003 plug-in 30" firebox shown in oak cabinet (BMP-272-0) with 1" slimline black trim (SOT-1-BLK).

Specifications

Model	Description	Volts	Watts	BTU	Total Amps	Weight (lb/kg)
DF3003	The 30" deluxe plug-in firebox with patented realistic flame effect, refractory interior, hand-finished logs, flame on/off control, adjustable interior light, and adjustable flame speed control, heat on/off control and thermostat controlled fan-forced heater.	120	1500	5115	12.5	59 / 26.8

Options for DF3003 Firebox

Trims*

- SOT-1-BLK – 1" slimline trim, flat black
- SOT-1-PB – 1" slimline trim, polished brass
- SOT-1-SN – 1" slimline trim, satin nickel
- ET30-3-BLK – 3" surround trim, black
- ET30-3-SS – 3" surround trim, stainless steel

* Packages include black trim only (SOT-1-BLK)

Packages

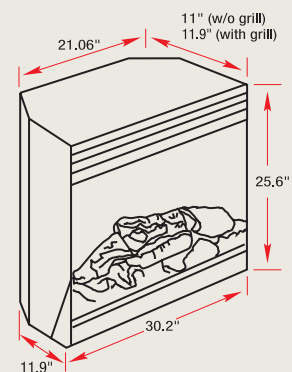
Packages for DF3003 Firebox (see reverse)

Multi-Function Remote Control

The DF3003 comes equipped with a multi-function remote control that features a digital display, programmable thermostat, child lock, sleep timer and more.



Dimensions for DF3003 Firebox



Protected by one or more of the following U.S. Patents: 6,050,011, 6,269,567, 6,190,019, 6,564,485, 5,642,580, 6,615,519, 6,363,636, 6,047,489, 6,718,665, 6,350,498, 6,162,047, 6,385,881 and Canadian Patents: 2,175,442, 2,310,367, 2,310,073, 2,204,106, 2,310,362, 2,310,414, 2,262,338. Other patents pending. Specifications, finishes and dimensions are subject to change and should be taken as a guide only.



Distressed oak corner cabinet (BMP-261C-O) shown with DF3003 firebox and 1" slimline black trim (SOT-1-BLK)



White cabinet (BMP-272-W) shown with DF3003 firebox and 1" slimline black trim (SOT-1-BLK)



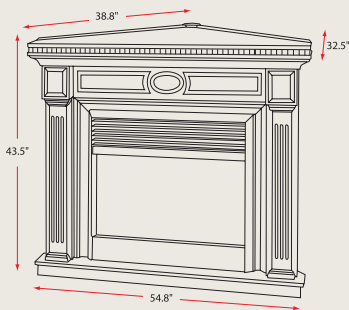
Simulated stone cabinet (BMP-STN-5001) shown with DF3003 firebox and 1" slimline black trim (SOT-1-BLK)

Packages

Model	Description	Weight (lb/kg)
Flat Wall Cabinets		
BMP-272-W	Sussex white cabinet, 30" firebox and 1" black trim	187 / 84.2
BMP-272-O	Sussex oak cabinet, 30" firebox and 1" black trim	187 / 84.2
BMP-272-C	Sussex cherry cabinet, 30" firebox and 1" black trim	187 / 84.2
BMP-STN-5001	Monterey cabinet, 30" firebox and 1" black trim	268 / 121.8
Corner Cabinets		
BMP-261C-O	Stratford oak corner cabinet, 30" firebox and 1" black trim	150 / 67.5

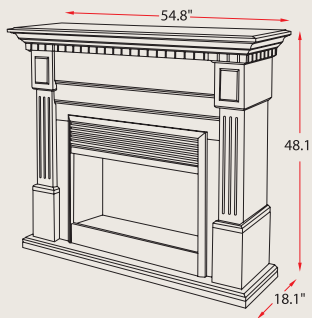
261 Corner Dimensions

Front View



272 Series Dimensions

Front View



5001 Dimensions

Front View

