

Product Description

- Patented electric flame technology⁽¹⁾
- Realistic flame image, log set and ember bed
- Dual 120 or 240/208 voltage compatible (BF45ST & DX)
- Operates with flame only or flame with heat (BF45ST & DX)
- Easily accessible manual controls
- Optional field installable remote control kit and optional wall-mount thermostat available
- Optional glass doors install with no tools
- Smooth edges allow for flush mounting to drywall/tile or for installation into finished wall cavity
- Dimensions 45" W x 32.8" H x 15.3" D



BF45ST firebox shown with optional glass door (BFD00R45BLK) and optional polished brass 3-piece trim (BFKIT45PB)

Specifications for BF45 Firebox

Model	Description	Volts	Watts	BTU	Total Amps	Weight (lb/kg)
BF45ST	New improved firebox, with realistic flame image. Built-in manual switches—flame only and full heat setting. Note: please order remote control and/or wall thermostat from "Control Options" section (below).	120 240 / 208	1440 2700 / 2100	5000 9200 / 7200	12.0 11.3 / 10.1	90 / 40.5
BF45DX	New improved firebox with simulated refractory brick interior , and realistic flame image. Built-in manual switches —flame only and full heat setting. Note: please order remote control and/or wall thermostat from "Control Options" section (below).	120 240 / 208	1440 2700 / 2100	5000 9200 / 7200	12.0 11.3 / 10.1	90 / 40.5
Control Options						
BFRC-KIT	3-stage remote control kit, flame only, half heat, full heat (includes control module & hand held transmitter), field installable.					0.5 / 0.23
TS901	Ivory – wall mount thermostat, field installable.					0.5 / 0.23
TS901W	White – wall mount thermostat, field installable.					0.5 / 0.23
BFPLUGE ⁽²⁾	Plug kit includes 7' cord (approx.) and plug, field installable for use at 120V setting only. (Wall thermostat option not available with plug kit.)					0.5 / 0.23

Options for BF45 Firebox

Glass Doors

- BFD00R45BLK - Black accent
- BFD00R45PB - Polished Brass accent

3-piece Surround Trim

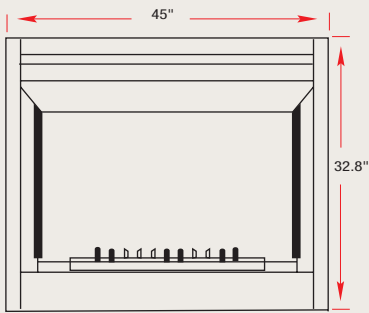
- BFKIT45BLK - Black
- BFKIT45PB - Polished Brass
- BFKIT45SS - Stainless Steel

(1) Protected by U.S. Patents 4,965,707, 5,642,580, 6,162,047, 6,269,567. Canadian Patents 2,175,442, 2,310,414. Further patents pending.

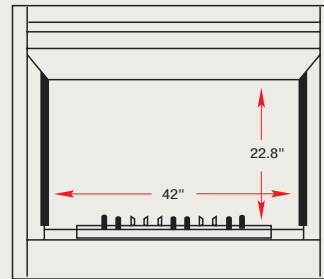
(2) Building codes vary by location. Prior to plug kit attachment - ensure product meets local code approval. National electric codes state(s) that the plug be accessible, if required.

Specifications for BF45 Firebox

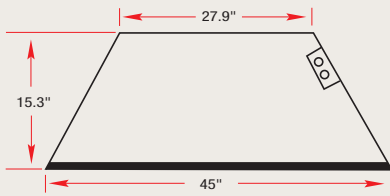
Front View



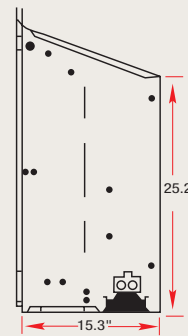
Viewing Area



Top View



Side View



Framing Dimensions for BF45 Firebox

